

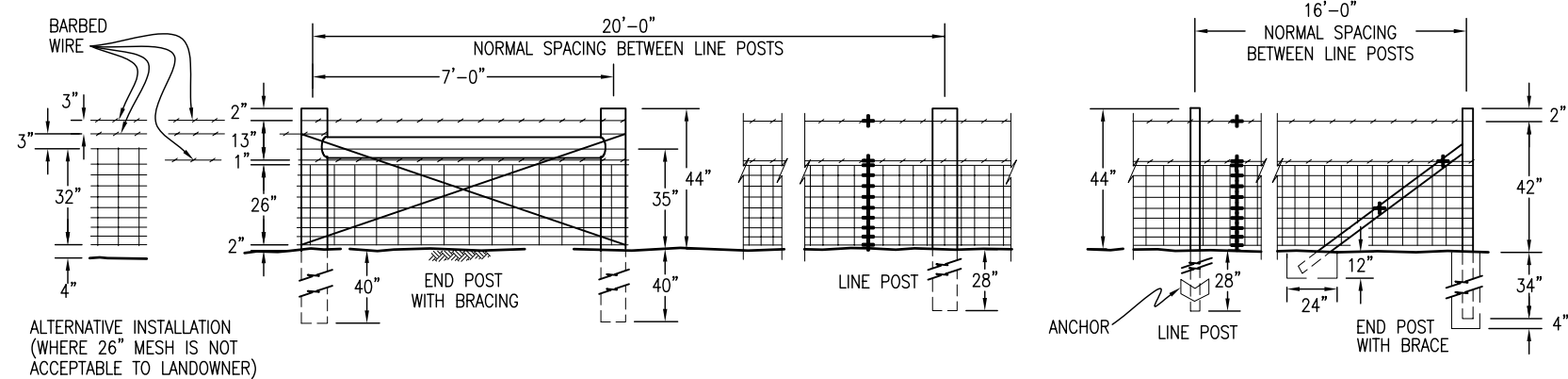
METAL STAYS (GALVANIZED)
NUMBER REQUIRED:
ONE BETWEEN LINE POSTS AND POSTS HAVING BRACES.
TWO EQUALLY SPACED BETWEEN LINE POSTS
* MAY BE TIED TO THE BOTTOM WIRE.

WOODEN STAYS FOR BARBED WIRE OR COMBINATION WIRE FENCES:
WHEN WOODEN STAYS ARE SPECIFIED ON PLANS, LINE POSTS SHALL
BE SPACED ON 16'-0" CENTERS, IN LIEU OF 20'-0" NORMAL SPACING.
WOODEN STAYS SHALL REST ON THE NATURAL GROUND AND MAY BE
STAPLED, OR DRILLED AND TIED WITH WIRE.

FENCE WIRE SHALL BE STAPLED TO WOODEN POSTS
OR TIED TO METAL POSTS WHEN SHOWN MARKED AS
+ ON FENCE DETAILS.

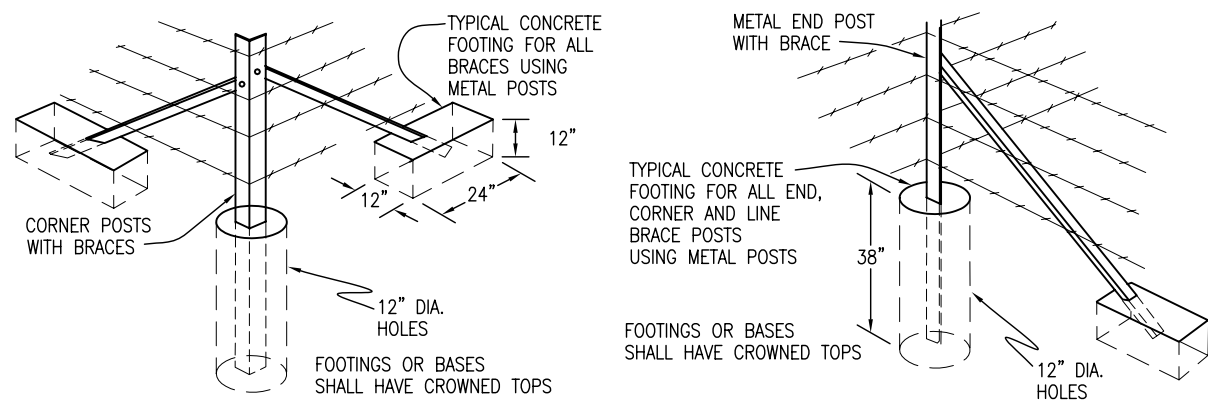
BARBED WIRE FENCE WITH WOODEN POSTS

BARBED WIRE FENCE WITH METAL POSTS



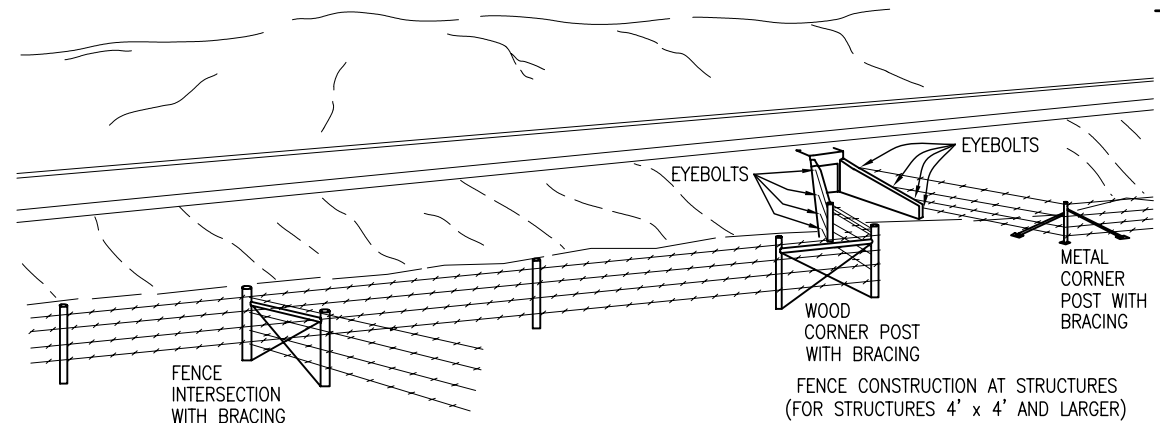
COMBINATION WIRE FENCE WITH WOODEN POSTS

COMBINATION WIRE FENCE WITH METAL POSTS



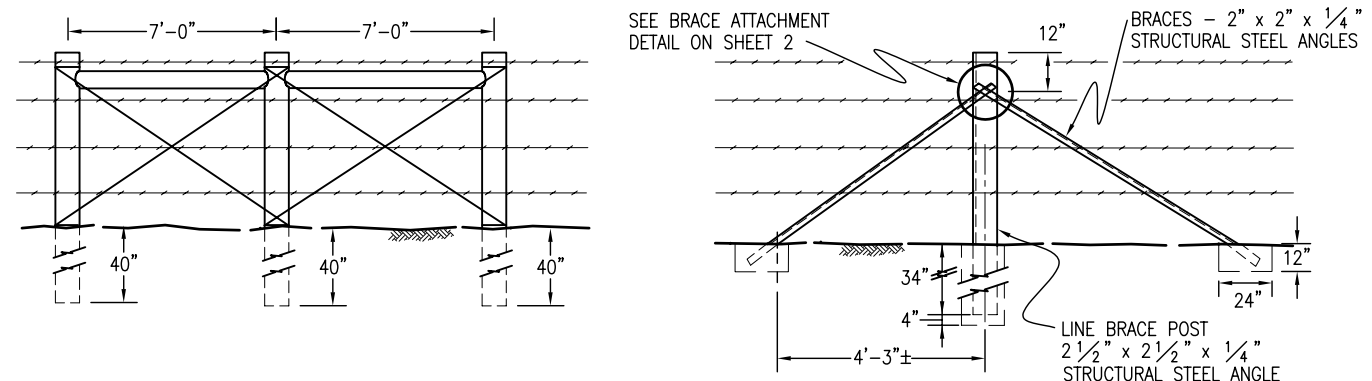
TYPICAL CORNER POST INSTALLATION

TYPICAL INSTALLATION AT FENCE INTERSECTIONS




NOTES

1. AT ALL STRUCTURES OF 4 FT. x 4 FT. AND LARGER, THE FENCE SHALL END AT THE EYEBOLTS IN THE WINGS OF THE STRUCTURE. WHERE THE TYPE OF STRUCTURE PROHIBITS THE USE OF EYEBOLTS, AN END POST WITH BRACE SHALL BE USED.
2. EYEBOLTS SHALL BE MADE OF 1/2 IN. ROUND BARS WITH A MINIMUM OF 6 IN. OF BODY LENGTH EMBEDDED (HOOKED OR BENT) IN FRESH CONCRETE.
3. FOR EYEBOLTS IN EXISTING CONCRETE, THE 1/2 IN. ROUND BARS SHALL BE DEFORMED AND GROUTED INTO DRILLED HOLES.
4. EYEBOLTS SHALL HAVE A MINIMUM OF 1 IN. INSIDE EYE DIAMETER.
5. EYEBOLTS SHALL BE FURNISHED AND INSTALLED BY THE CONTRACTOR. EYEBOLTS WILL NOT BE PAID FOR SEPARATELY BUT SHALL BE INCLUDED IN THE WORK.



LINE BRACES

WHEN GATES, ANGLES, CORNERS OR INTERSECTING FENCES ARE NOT REQUIRED, LINE BRACES SHALL BE SPACED AS FOLLOWS:
METAL POSTS - 800 FT. INTERVALS
WOOD POSTS - 1,400 FT. INTERVALS

Computer File Information Creation Date: 07/04/06 Initials: SJR Last Modification Date: 07/04/06 Initials: LTA Full Path: www.dot.state.co.us/DesignSupport/ Drawing File Name: 607010203.dwg CAD Ver.: MicroStation V8 Scale: Not to Scale Units: English		Sheet Revisions <table border="1"> <thead> <tr> <th>Date:</th> <th>Comments</th> </tr> </thead> <tbody> <tr><td>(R-X)</td><td></td></tr> <tr><td>(R-X)</td><td></td></tr> <tr><td>(R-X)</td><td></td></tr> <tr><td>(R-X)</td><td></td></tr> </tbody> </table>		Date:	Comments	(R-X)		(R-X)		(R-X)		(R-X)		Colorado Department of Transportation  4201 East Arkansas Avenue Denver, Colorado 80222 Phone: (303) 757-9083 Fax: (303) 757-9820 Project Development Branch SRJ/LTA		WIRE FENCES AND GATES STANDARD PLAN NO. M-607-1 Sheet No. 2 of 3 Issued By: Project Development Branch on July 04, 2006	
Date:	Comments																
(R-X)																	
(R-X)																	
(R-X)																	
(R-X)																	